



SDU Development Information

Development Name:
AMITY ESTATE, NERANGBA

Developer Company:
TTF Dahua Pointcorp Narangba Unit Trust

Development Address:
CALLAGHAN RD NARANGBA 4504

Authorised Rep:
PE CONSULTING ENGINEERS
Phone: 0755961425
E-Mail: urd@pece.com.au

nbn Reference Number: STG-M000025285 Stage Number: STAGE 8A
Design Revision: B

BILL OF MATERIAL

NO OF LOTS: 38

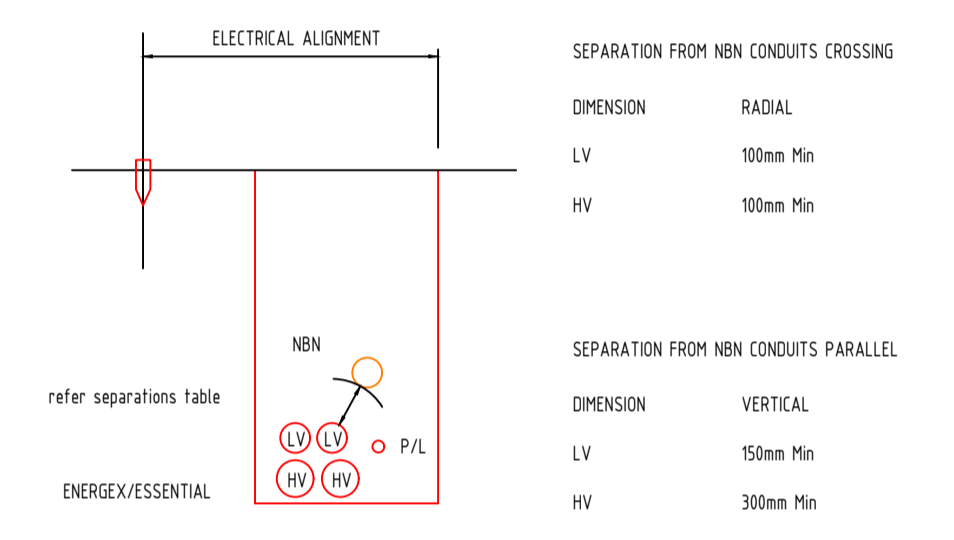
PITS		DUCTS		MTRS
SIZE	QTY	SIZE	QTY	
2	10	P100	21	562.9
5	9	P50	10	219
6	1	P20	38	292.1
8	5			
9	0			

TOTAL NUMBER OF PITS: 25
TOTAL NUMBER OF MANHOLES: 0
TOTAL NUMBER OF CONDUITS: 69
TOTAL LENGTH OF CONDUITS: 1074

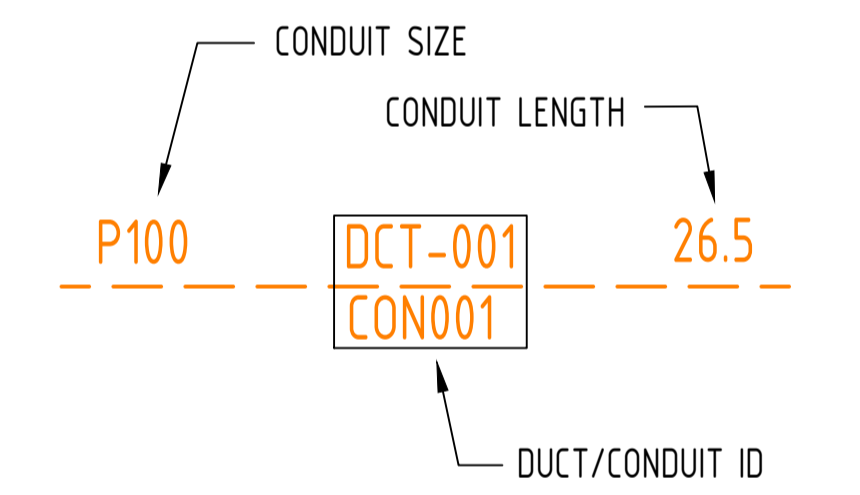
NBN SYMBOL LEGEND

- Transformer / Kiosk / Pad Mount
Sub-station / Pole Mount Transformer
- PIT-ID 5 Network Boundary/Local Network Pit (Single Lid) (700mmX450mmX650mm)
- PIT-ID 8 Distribution/Local Network Connection Pit (1360mmX555mmX860mm)
- PIT-ID 9 Fibre Distribution Hub (FDH) Pit (2000mmX555mmX900mm)
- Shared Trench Symbol
- Energex Pillar

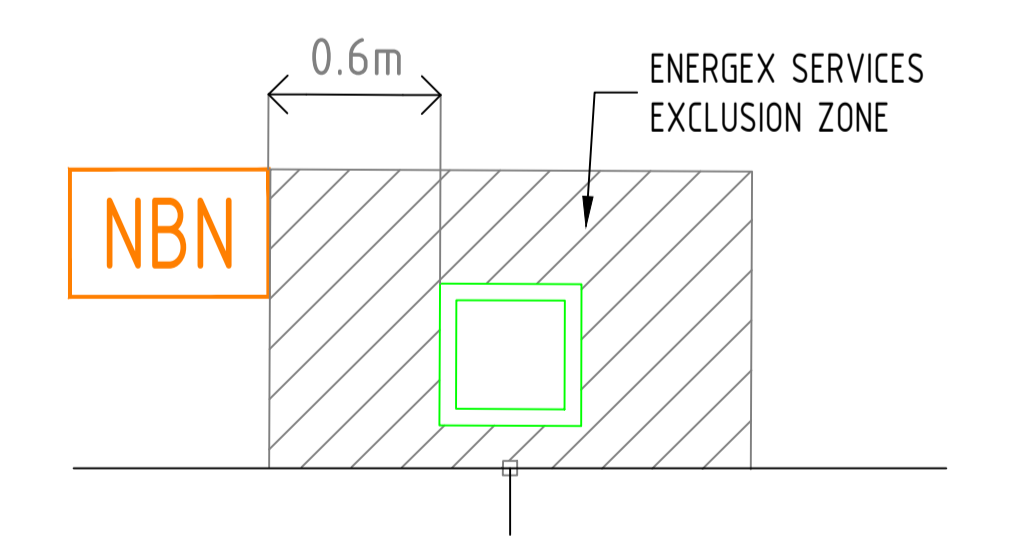
TRENCH SECTION



CONDUIT CONFIGURATION



STANDARD NBN PIT OFFSET TO ENERGEX PILLAR



WHERE PITS ARE NOT LOCATED BESIDE PILLARS, OFFSETS WILL BE SHOWN ON THE LAYOUT TO THE NEAREST TRUNCATION. IF NO OFFSET DISTANCE IS SHOWN, PLEASE CONTACT DESIGN CONSULTANT PRIOR TO INSTALLATION.

AS CONSTRUCTED



REV	DATE	DRAFTER	DESCRIPTION	APPROVED
C	20/01/2021	AP	ISSUE AS CONSTRUCTED.	
B	28/09/2020	AP	ISSUE FOR CONSTRUCTION.	
A	28/08/2020	AP	ISSUE FOR NBN APPROVAL. NOT FOR CONSTRUCTION.	

STRICTLY CONFIDENTIAL

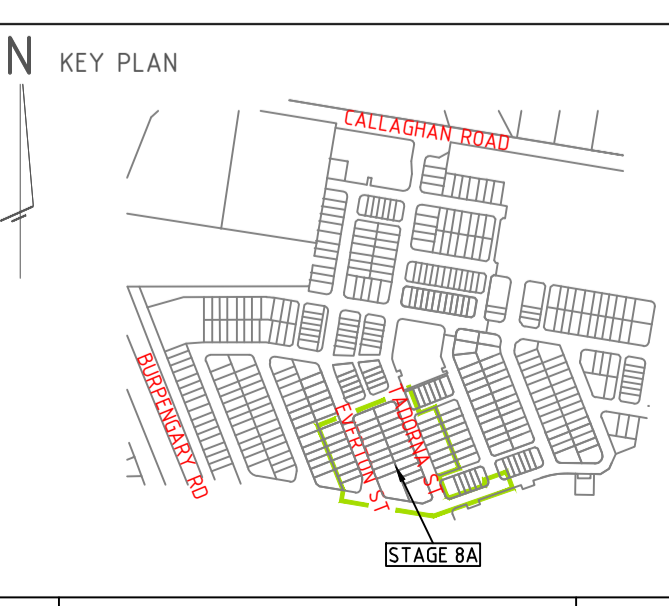
NBNCO APPROVAL RECORD:

SIGNATURE	DATE
<input type="checkbox"/> DD	_____
<input type="checkbox"/> WD	_____
<input type="checkbox"/> AB	_____

QUALITY RECORD:

NBNCO DISCLAIMER
THIS DOCUMENT HAS BEEN PREPARED SOLELY FOR THE USE OF NBNCO LIMITED (ABN 86 136 533 741) FOR USE IN MAINTAINING NBNCO FACILITIES. IT HAS NOT BEEN CREATED FOR ANY OTHER USE. IT SHOULD NOT BE SCALED TO LOCATE NBNCO ASSETS. NO WARRANTY IS GIVEN THAT THE INFORMATION IS ACCURATE OR COMPLETE.

PE CONSULTING ENGINEERS
STREET ADDRESS: U14, 39 Lawrence Dr, Naring QLD 4211
POSTAL ADDRESS: PO Box 2853, Naring QLD 4211
TELEPHONE: (07) 5590 1425
FAX: (07) 5590 1425
EMAIL: urd@pece.com.au
WEB: www.pece.com.au



DRAWING TITLE:
STG-M000025285
PIT & PIPE LAYOUT
AMITY ESTATE STAGE 8A
38 LOT SUBDIVISION

ENABLED:

STATE: QLD REGION: NERANGBA

FSA: SAM: ADA:

PROJECT No:

CADREF No:

SCALE: 1:500@A1 SHEET No. 1 OF 1 REV. C